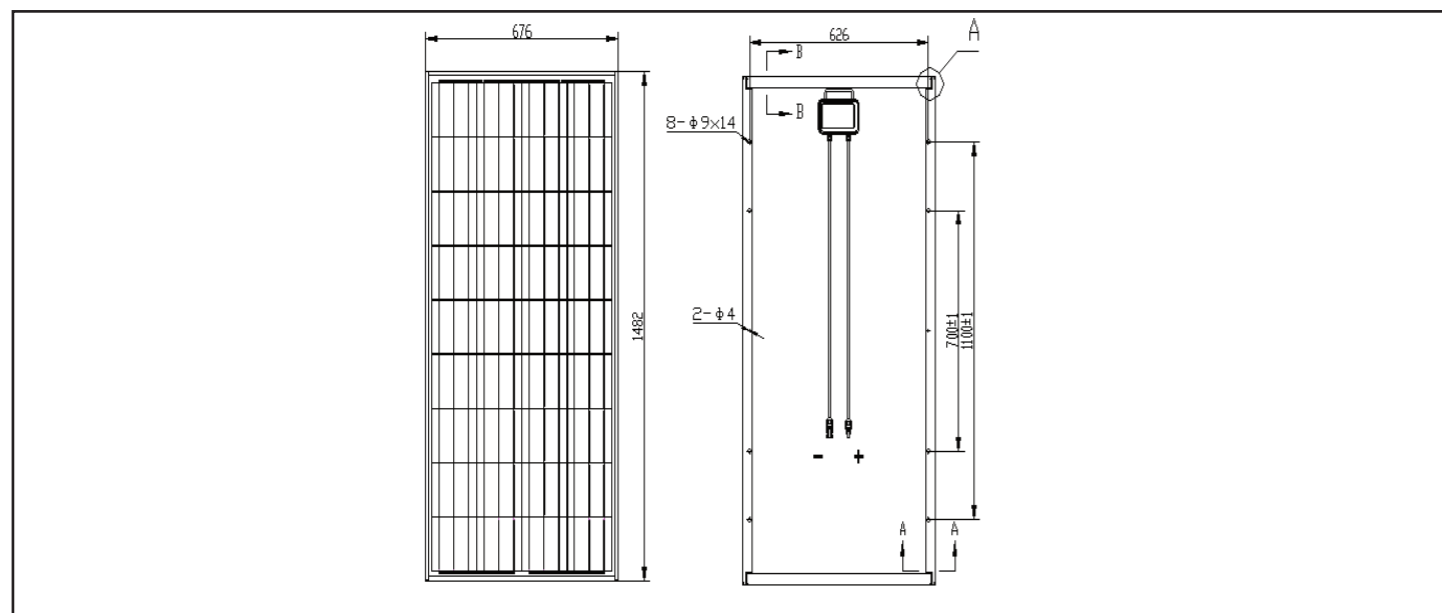


## Polycrystalline Solar Module – DX145PFe



### Electrical Characteristics

All specified Parameters are at STC 25°C Ambient, 1000W/ m<sup>2</sup> irradiance and AM 1.5

Type	DX130PFe	DX135PFe	DX140PFe	DX145PFe
Max-Power P <sub>m</sub> (W)	130	135	140	145
Module Power Range (W)	135>P <sub>m</sub> ≥130	140>P <sub>m</sub> ≥135	145>P <sub>m</sub> ≥140	P <sub>m</sub> ≥145
Power Tolerance (W)	+0~+5	+0~+5	+0~+5	+0~+5
Max-Power Voltage V <sub>m</sub> (V)	17.9	18.0	18.3	18.6
Max-Power Current I <sub>m</sub> (A)	7.30	7.5	7.65	7.8
Short-Circuit Current I <sub>sc</sub> (A)	8.05	8.18	8.25	8.4
Open-Circuit Voltage V <sub>oc</sub> (V)	21.74	21.85	21.95	22.3
Max-System Voltage (VDC)	600V(UL)/1000V(IEC)			
Cell Efficiency (%)	14.8	15.4	16.0	16.6
Module Efficiency (%)	12.97	13.47	13.97	14.5
Max.Series Fuse (A)	15			
P <sub>m</sub> Temperature Coefficients (%/°C)	-0.4336			
I <sub>sc</sub> Temperature Coefficients (%/°C)	0.0825			
V <sub>oc</sub> Temperature Coefficients (%/°C)	-0.4049			
NOCT Nominal Operating Cell Temperature	45±2°C			

Maximum load rating:5400Pa(112.78lbf/ft<sup>2</sup>)

## Polycrystalline Solar Module – DX145PFe

### Mechanical Characteristics

Cable type,Diameter and Length	4mm <sup>2</sup> ,TUV certified,1000mm
Type of Connector	Compatible Type IV
Number,type and arrangement of cells	36pcs,Poly-Crystalline Silicon(4×9)
Cell Size (mm)	156×156
Dimension (mm)	1482×676×40
Weight (Kg)	12
No.of Draining Holes in Frame	10
Glass,Type and Thickness	High Transmission,Low Iron, Tempered Glass 3.2mm

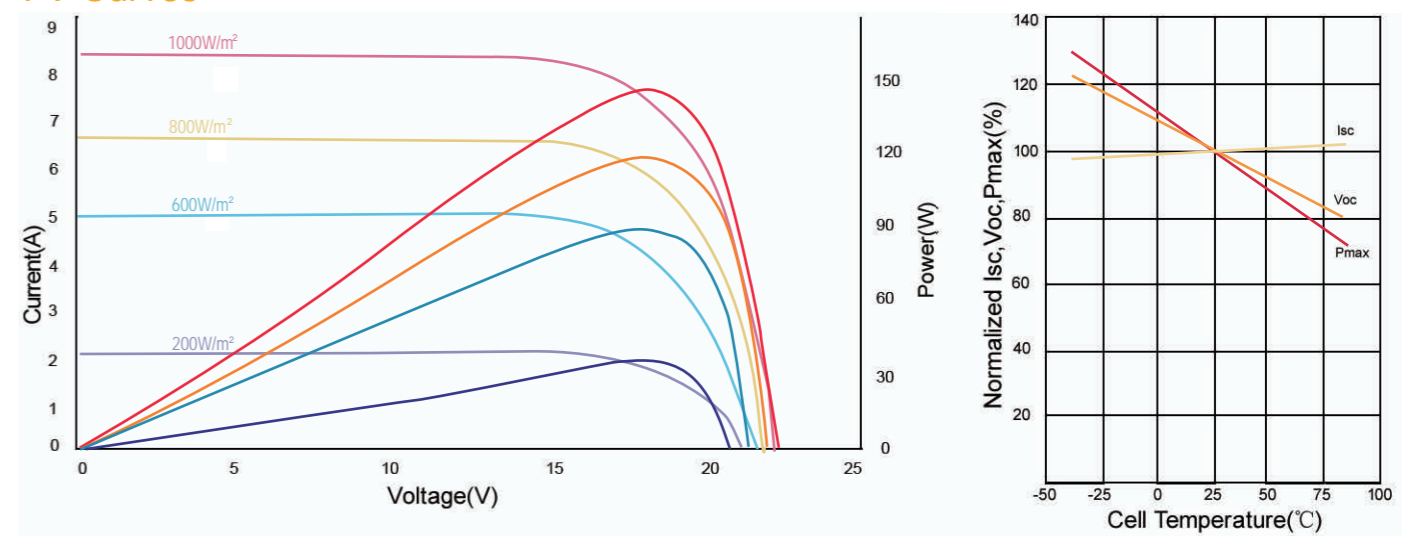
### Packaging Configuration

Packing Configuration	24 pcs/box or 2 pcs/box
Quantity/Pallet	56 pcs/pallet
Loading Capacity	840 pcs/40ft

### Absolute Ratings

Dielectric Insulation Voltage	3000V
Operating Temperature (°C)	-40~+85
Storage Temperature (°C)	-40~+85

### I-V Curves



I-V Curves at different Irradiances (AM1.5 25°C)

Specifications included in this datasheet are subject to change without prior notice